

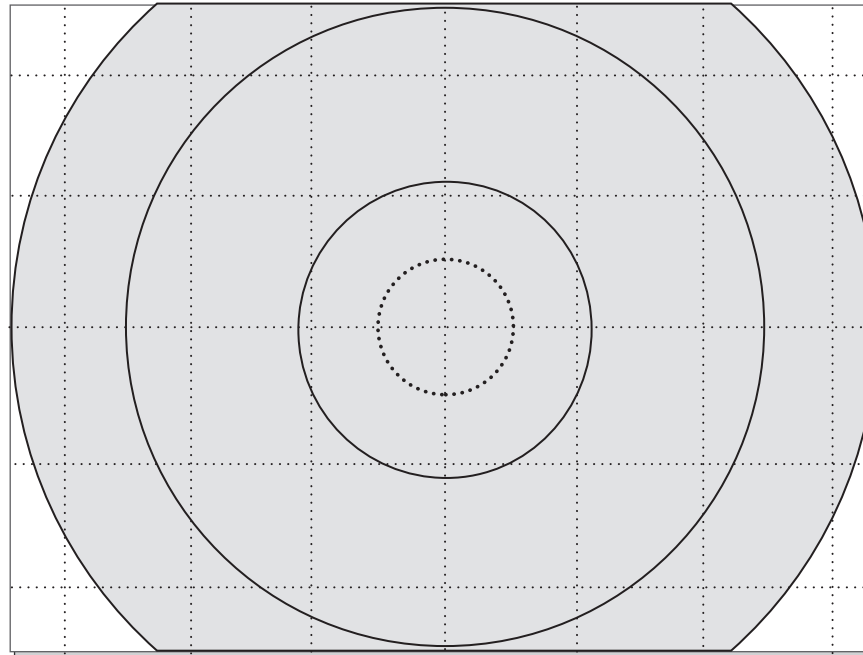


500  
M

Weather Details	ELEV	SCORE	WIND		Shot Call
			Est	True Wind	
	A				
	B				
	1				
Powder Load	2				
	3				
Bullet Details	4				
	5				
	6				
Brass Details	7				
	8				
	9				
Front Ring Size	10				
	11				
	12				
	13				
Previous Aggregates	14				
	15				
This Distance Score		Aggregates			

EVENT

Date



A							A
B							B
1							1
2							2
3							3
4							4
5							5
6							6
7							7
8							8
9							9
0							0
1							1
2							2
3							3
4							4
5							5

**SABU**

Rounds fired & Barrel Running Total:

Frontsight Setting

Rearsight Setting at start.

Rearsight Setting at finish.

NATIONAL & PROVINCIAL TEAM MATCHES  
SOUTH AFRICA

Shooter's Name:

Coach:

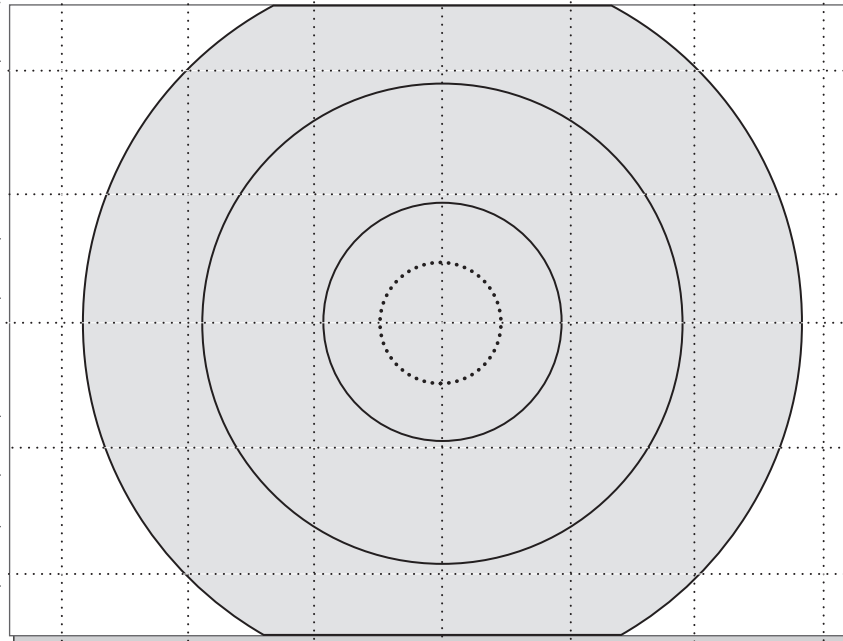
Sub-Coach:

600  
M

Weather Details	ELEV	SCORE	WIND		Shot Call
			Est	True Wind	
	A				
	B				
	1				
Powder Load	2				
	3				
	4				
Bullet Details	5				
	6				
	7				
Brass Details	8				
	9				
	10				
Front Ring Size	11				
	12				
	13				
Previous Aggregates	14				
	15				
	This Distance Score		Aggregates		


EVENT

Date



<input type="checkbox"/>	<input type="checkbox"/>	<input type="checkbox"/>	<input type="checkbox"/>	<input type="checkbox"/>	<input type="checkbox"/>	<input type="checkbox"/>
A	B	1	2	3	4	5
1	2	3	4	5	6	7
2	3	4	5	6	7	8
3	4	5	6	7	8	9
4	5	6	7	8	9	0
5	6	7	8	9	0	1
6	7	8	9	0	1	2
7	8	9	0	1	2	3
8	9	0	1	2	3	4
9	0	1	2	3	4	5
0	1	2	3	4	5	
1	2	3	4	5		
2	3	4	5			
3	4	5				
4	5					
5						

<input type="checkbox"/>	<input type="checkbox"/>	<input type="checkbox"/>	<input type="checkbox"/>	<input type="checkbox"/>	<input type="checkbox"/>	<input type="checkbox"/>
A	B	1	2	3	4	5
1	2	3	4	5	6	7
2	3	4	5	6	7	8
3	4	5	6	7	8	9
4	5	6	7	8	9	0
5	6	7	8	9	0	1
6	7	8	9	0	1	2
7	8	9	0	1	2	3
8	9	0	1	2	3	4
9	0	1	2	3	4	5
0	1	2	3	4	5	
1	2	3	4	5		
2	3	4	5			
3	4	5				
4	5					
5						



**SABU**

Rounds fired & Barrel Running Total:

Frontsight Setting

Rearsight Setting at start.

Rearsight Setting at finish.

NATIONAL & PROVINCIAL TEAM MATCHES  
SOUTH AFRICA

Shooter's Name:

Coach:

Sub-Coach:



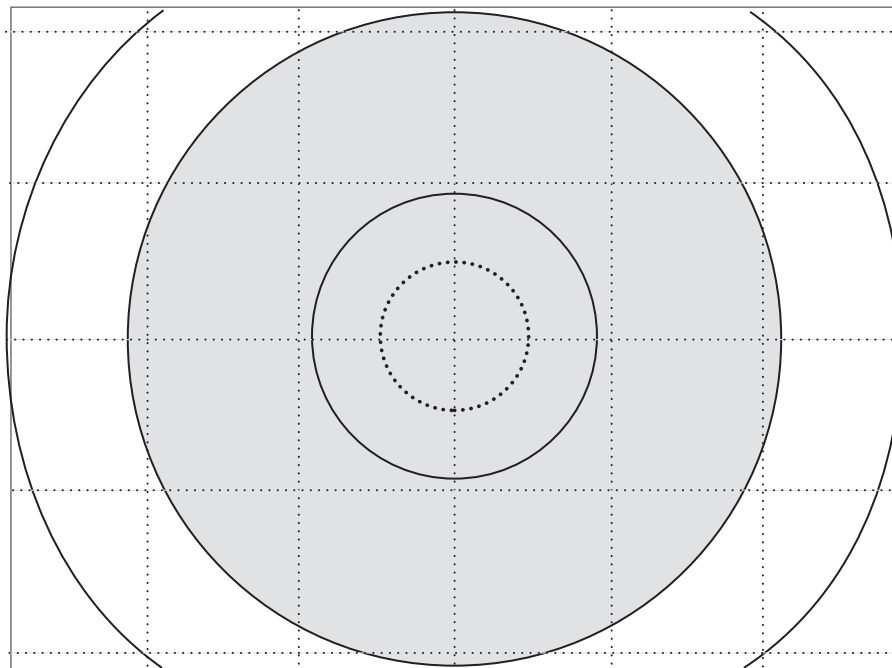


900  
M

Weather Details	ELEV	SCORE	WIND		Shot Call
			Est	True Wind	
	A				
	B				
	1				
Powder Load	2				
	3				
	4				
Bullet Details	5				
	6				
	7				
Brass Details	8				
	9				
	10				
Front Ring Size	11				
	12				
	13				
Previous Aggregates	14				
	15				
	This Distance Score		Aggregates		

EVENT

Date



<input type="checkbox"/>	A	1	2	3	4	5	7	9	1	3	5
<input type="checkbox"/>	B	2	4	6	8	0	2	4			
<input type="checkbox"/>											
<input type="checkbox"/>											
<input type="checkbox"/>	A	1	2	3	4	5	7	9	1	3	5
<input type="checkbox"/>	B	2	4	6	8	0	2	4			

<input type="checkbox"/>	<input type="checkbox"/>	<input type="checkbox"/>	<input type="checkbox"/>	<input type="checkbox"/>	<input type="checkbox"/>	<input type="checkbox"/>	<input type="checkbox"/>
A							A
B	1	2	3	4	5	6	B
	7	8	9	0	1	2	
	3	4	5	6	7	8	
	9	0	1	2	3	4	
	4	5	6	7	8	9	
	5						

Rounds fired & Barrel Running Total:

Frontsight Setting

Rearsight Setting at start.

Rearsight Setting at finish.

NATIONAL AND PROVINCIAL MATCHES  
SOUTH AFRICA

Shooter's Name:

Coach:

Sub-Coach: